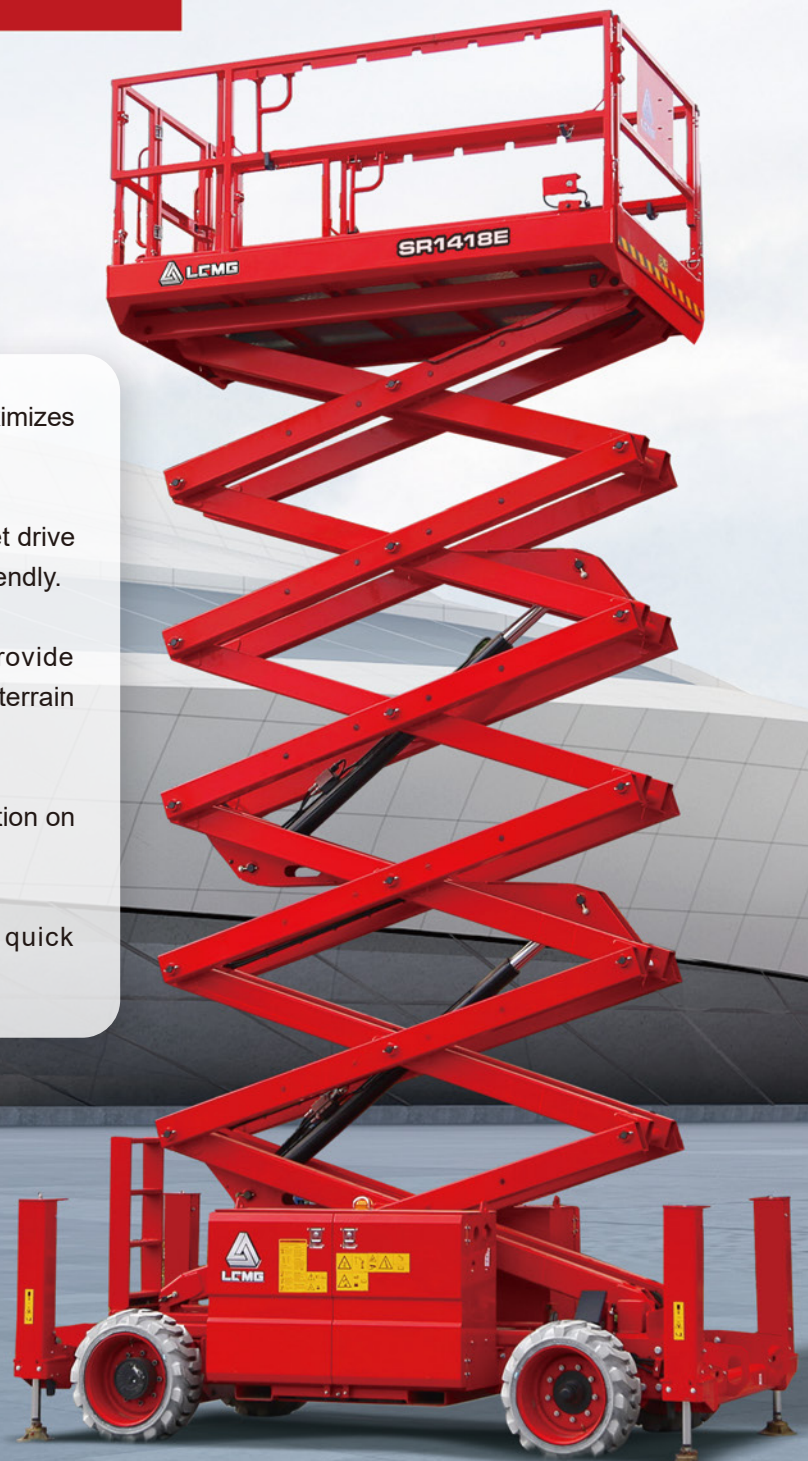


# LGMG

## SR1418E

### ELECTRIC RT SCISSOR LIFT

- The large platform with high capacity maximizes productivity.
- Battery powered, zero emission and quiet drive mean this machine is environmentally friendly.
- Equipped with oscillating axles that provide excellent performance in soft and rough terrain conditions.
- Hydraulic outriggers deliver a better solution on uneven ground.
- Intelligent self-diagnostic system for quick troubleshooting.



# LGMG Electric RT Scissor Lift

## SPECIFICATIONS

MODELS	SR1418E (SR4669E)	
Measurements	Metric	Imperial
Work Height Max.	15.8m	51'10"
<b>A</b> Platform Height - Raised	13.8m	45'3"
<b>B</b> Platform Length	2.79m	9'2"
<b>C</b> Platform Width	1.6m	5'3"
<b>D</b> Overall Length (with ladder)	3.73m	12'3"
<b>E</b> Overall Width	1.84m	6'
<b>F</b> Overall Height - Rails up	2.9m	9'6"
Overall Height - Rails down	2.24m	7'4"
<b>G</b> Extension Deck	1.5m	4'11"
<b>H</b> Wheelbase	2.29m	7'6"
Ground Clearance-Center	0.23m	9"

### PRODUCTIVITY

Max. Platform Occupancy	2(in) / 2(out)	
Platform Capacity	365kg	805 lbs
Platform Capacity - Extension	140kg	309 lbs
Drive Height	Full Height	
Gradeability - Stowed	35%	35%
Min. Turning Radius	4.75m	15'7"
Raise/Lower Speed	80s / 60s	
Brakes	Rear-wheel Brake	
Drive Mode	4x2	
Tires Type	Solid Non-marking	
Tires Size	663x283mm	26"x11"

### POWER

Power Source	48V DC 390Ah	
--------------	--------------	--

### HYDRAULIC SYSTEM

Hydraulic Oil Volume	50L	13.2 gal
----------------------	-----	----------

### WEIGHT

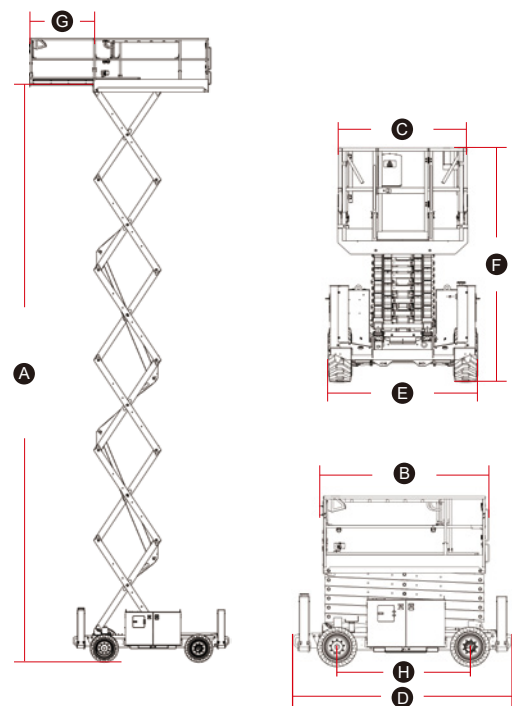
Machine Weight with Outriggers (CE/ANSI)	6260kg	13800 lbs
------------------------------------------	--------	-----------

### STANDARD FEATURES

Proportional control	Tilt alarm with lift cut-out
Foldable guardrail	Overload sensing system
Emergency stop device	Descent alarm with flashing beacon
Manual brake release	All motions alarm
Emergency descent	Intelligent diagnostic system
Oscillating axle	Auto-leveling outriggers
Self-lock entry gate	Solid non-marking tires

### OPTIONAL

Telematics	Solid tires
AC power to platform	Foam-filled non-marking tires
Biodegradable hydraulic oil	Foam-filled tires



Please contact LGMG or a local dealer for more details.

LGMG reserves the right to change technical data without prior notice. All photos and pictures in this brochure are for promotional purposes only.

This brochure comes into effect in May, 2023.

### LINGONG HEAVY MACHINERY CO., LTD.

Address: No. 2676, Kejia Road, Jinan, Shandong, China

Email: sales@lmgm.com.cn Tel: +86 531 6787 9283

### LGMG Europe B.V.

Address: Donker Duyvisweg 301, 3316 BL Dordrecht, The Netherlands

Email: sales@lmgmeurope.com Tel: +31 850 642 777

### LGMG North America Inc.

Address: 4105 Live Oak Drive, Suite 100, The Colony, Texas 75056 United States

Email: sales@lmgmna.com Tel: +1 833 288 5464

www.lmgmlifts.com



**LGMG**  
RELIABILITY IN ACTION