

LGMG

A13JE

ARTICULATING BOOM LIFT

- Battery powered provides quiet, zero-emission and long battery duty cycle.
- Proportional control ensures smooth driving, precise positioning and comfortable operation.
- Self-leveling platform together with hydraulic platform rotation delivers exceptional productivity.
- Intelligent self-diagnostic system for quick troubleshooting.
- Lead-acid battery, lithium battery (A13JE-Li) two options.



LGMG Electric - Articulating Boom Lift

SPECIFICATIONS

MODELS	A13JE (A43JE)	
Measurements	Metric	Imperial
Work Height Max.	15m	49'3"
Platform Height Max.	13m	42'8"
Horizontal Outreach	7.46m	24'6"
Up and Over Height	7.1m	23'4"
Platform Length	1.2m	3'11"
Platform Width	0.9m	2'11"
A Stowed Length	6.7m	22'
Length-Transport (jib tucked)	5.76m	18'11"
B Overall Width	1.5m	4'11"
C Stowed Height	1.98m	6'6"
Height-Transport	2.66m	8'9"
D Wheelbase	2.03m	6'8"
E Ground Clearance	0.2m	8"

PRODUCTIVITY

Max. Platform Occupancy	2	
Platform Capacity	200kg	440 lbs
Turntable Rotation	355°	355°
Drive Speed-Stowed	5km/h	3.1mph
Drive Speed-Raised	0.8km/h	0.5mph
Gradeability	30%	30%
Max. Wind Speed	12.5m/s	28mph
Turning Radius-Inside	2.2m	7'3"
Turning Radius-Outside	4.07m	13'4"
Max.Slope	3°/3°	3°/3°
Tires Type	Solid Non-marking	
Tires Size	600x190mm	24"x7"

POWER

Lead-acid Battery	48V 330Ah
Lithium Battery (A13JE-Li)	48V 250Ah

HYDRAULIC SYSTEM

Hydraulic Oil Volume	25L	6.6gal
----------------------	-----	--------

WEIGHT

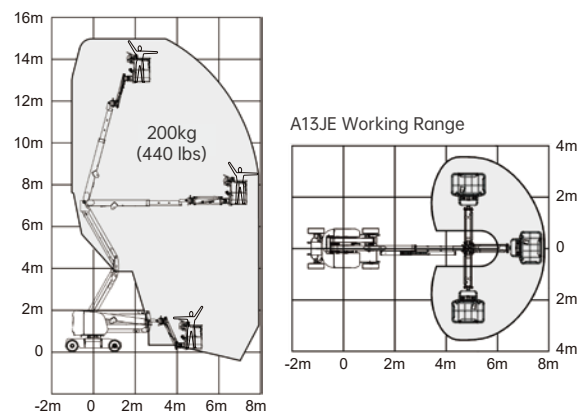
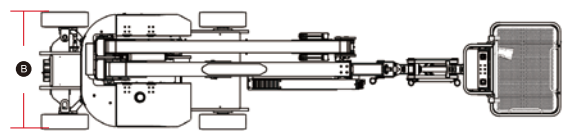
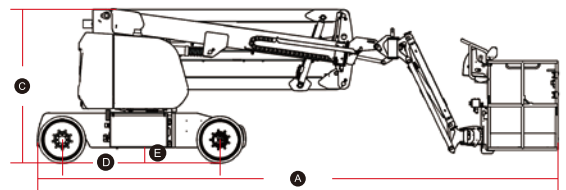
Machine Weight (CE/ANSI)	6950kg	15322 lbs
--------------------------	--------	-----------

STANDARD FEATURES

Proportional control	Anti-collision protection
Horn/Hour meter	Auto-leveling platform
AC drive motor	Intelligent diagnostic system
Drop bar entry	Over tilt protection system
Power switch	Overload sensing system
Full-height drive	Descent alarm with flashing beacon
Telematics connector	Solid non-marking tires

OPTIONAL

AC power to platform	Biodegradable hydraulic oil
Telematics	



Please contact LGMG or a local dealer for more details.

LGMG reserves the right to change technical data without prior notice. All photos and pictures in this brochure are for promotional purposes only. This brochure comes into effect in May, 2023.

LINGONG HEAVY MACHINERY CO., LTD.

Address: No. 2676, Kejia Road, Jinan, Shandong, China
 Email: sales@lmgm.com.cn Tel: +86 531 6787 9283

LGMG Europe B.V.

Address: Donker Duyvisweg 301, 3316 BL Dordrecht, The Netherlands
 Email: sales@lmgmeurope.com Tel: +31 850 642 777

LGMG North America Inc.

Address: 4105 Live Oak Drive, Suite 100, The Colony, Texas 75056 United States
 Email: sales@lmgmna.com Tel: +1 833 288 5464

www.lmgmglifts.com



LGMG
 RELIABILITY IN ACTION