

LGMG

S0812 II

HYDRAULIC MOTOR DRIVE
SCISSOR LIFT

- Large lower control panel
- Entire range designed for indoor and outdoor use
- Universal key components
- More convenient to maintain
- Optional lithium battery for the entire product range

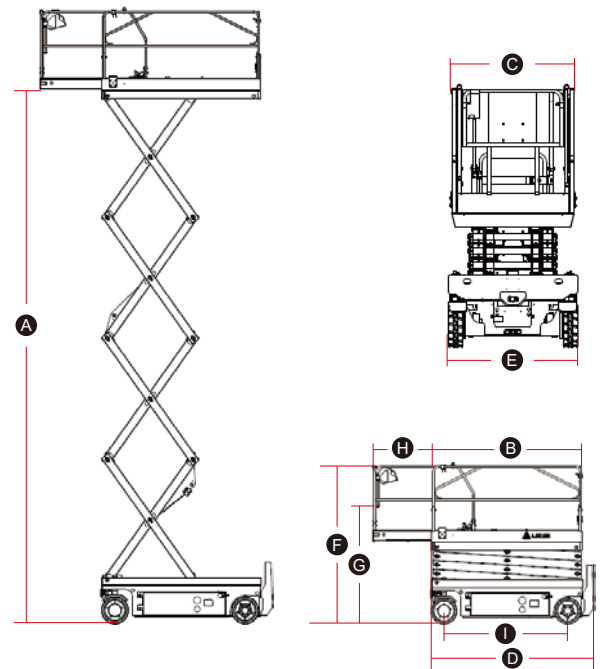


LGMG HYDRAULIC MOTOR DRIVE SCISSOR LIFT

SPECIFICATIONS

MODELS	S0812II (S2646II)	
Measurements	Metric	Imperial
Work Height Max.	10m	32'10"
A Platform Height-Raised	8m	26'3"
B Platform Length	2.26m	7'5"
C Platform Width	1.12m	3'8"
D Overall Length	2.49m	8'2"
E Overall Width	1.18m	3'10"
F Overall Height-Guardrails Up	2.36m	7'9"
G Overall Height-Guardrails Down	1.68m	5'6"
H Extension Deck	0.9m	2'11"
I Wheelbase	1.85m	6'1"
Ground Clearance(Stowed/Raised)	100/20mm	4"/1"
PRODUCTIVITY		
Max. Platform Occupants	2 (in) / 1(out)	
Platform Capacity	450kg	990 lbs
Platform Capacity-Extension Deck	120kg	265 lbs
Drive Height	Full Height	
Gradeability-Stowed	25%	
Min. Turning Radius	2.45m	8'
Raise/Lower Speed	35s / 40s	
Brakes	Rear-wheel Brake	
Drive Mode	4x2	
Tire Type	Solid Non-marking	
Tire Size	380x130mm	15"x5"
POWER		
Power Source	24V 240Ah	
Power Source (S0812II-Li)	24V 230Ah	
HYDRAULIC SYSTEM		
Hydraulic Oil Capacity	16L	4.2gal
WEIGHT		
Machine Weight(CE/ANSI)	2395kg	5280 lbs

STANDARD FEATURES	
Proportional control	Indoor and outdoor rated
Foldable guardrail	Emergency stop device
Manual brake release	Swing-out component tray
Emergency descent	Tilt alarm with lift cut-out
Pothole guard	Overload sensing system
Self-lock entry gate	Descent alarm with flashing beacon
All motions alarm	Intelligent diagnostic system
Full-height drive	Solid non-marking tires
OPTIONAL	
AC power to platform	Anti-collision protection
Voice alarm system	Maintenance-free battery
Telematics	Biodegradable hydraulic oil



Please contact LGMG or a local dealer for more details.

LGMG reserves the right to change technical data without prior notice. All photos and pictures in this brochure are for promotional purposes only.

This brochure comes into effect in May, 2023.

LINGONG HEAVY MACHINERY CO., LTD.

Address: No. 2676, Kejia Road, Jinan, Shandong, China
 Email: sales@lmgm.com.cn Tel: +86 531 6787 9283

LGMG Europe B.V.

Address: Donker Duyvisweg 301, 3316 BL Dordrecht, The Netherlands
 Email: sales@lmgmeurope.com Tel: +31 850 642 777

LGMG North America Inc.

Address: 4105 Live Oak Drive, Suite 100, The Colony, Texas 75056 United States
 Email: sales@lmgmna.com Tel: +1 833 288 5464

www.lmgmlifts.com



LGMG
 RELIABILITY IN ACTION