

LGMG

H730

TELEHANDLER

7 m

WORKING HEIGHT

3000 kg

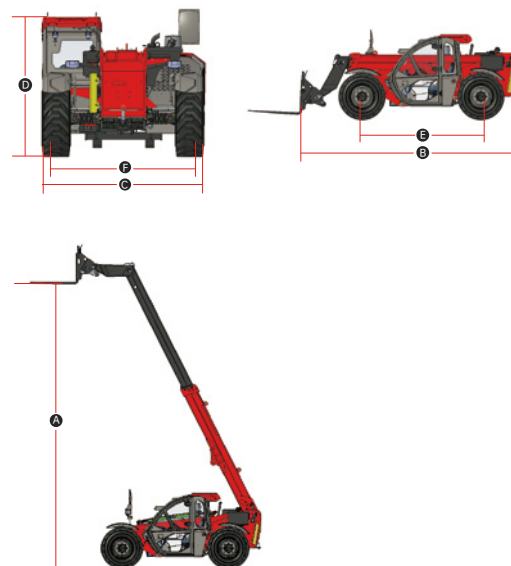
RATED LOAD



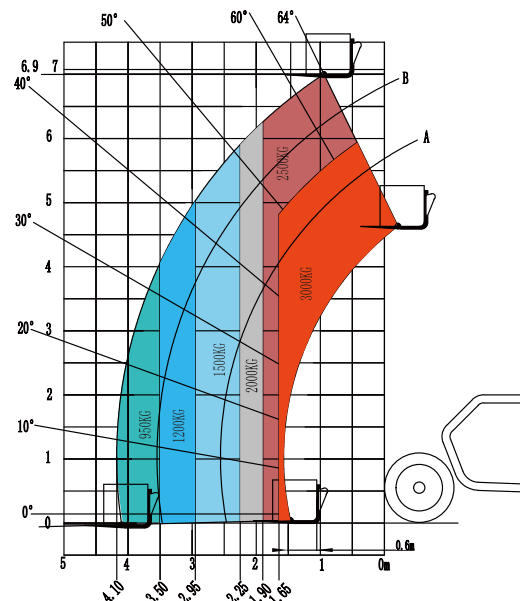
LGMG TELEHANDLER

SPECIFICATIONS

MODELS	H730	
Measurements	Metric	Imperial
Ⓐ Max. Lifting Height	6.9m	22'8"
Max. Outreach	4m	13'1"
Ⓑ Overall Length	5m	16'5"
Ⓒ Overall Width	2.3m	7'7"
Ⓓ Overall Height	1.99m	6'6"
Ⓔ Wheel base	2.76m	9'1"
Ⓕ Wheel Track	1.89m	6'2"
Ground Clearance	0.31m	1'
PRODUCTIVITY		
Max. Capacity	3,000kg	6,614 lbs
Gradeability-Unladen	45%	
Min. Turning Radius	3.3m	10'10"
Tilt Angle	±5°	
Drive /Steering Mode	4 Wheel Drive / 4 Wheel Steer	
Primary Boom Ascending Time	5-15s	
Primary Boom DescendingTime	5-15s	
Boom Extending Time	5-15s	
Boom Retracting Time	5-15s	
Forward - First Gear Travel Speed	8km/h	5mph
Forward - Second Gear Travel Speed	24.9km/h	15.5mph
Backward - First Gear Travel Speed	8km/h	5mph
Backward - Second Gear Travel Speed	24.9km/h	15.5mph
Braking	Multiple-disk brake with oil bath on front and rear axles	
Max. Braking Distance-Unladen	≤ 11m (24.9km/h)	≤ 36'1"(15.5mph)
Standard Tyres	385/65D22.5	
POWER		
Manufacturer	Kubota	
Rated Power	54.6kW	73.2hp
Max. Torque	261.1N.m	192.4 lb.ft
Displacement	3,331ml	203.27 cu.in
TANK CAPACITIES		
Hydraulic Oil Capacity	75L	19.8gal
Fuel Tank Capacity	100L	26.4gal
WEIGHT		
Machine Weight	6,900kg	15,212 lbs



Rough terrain load chart



Please contact LGMG or a local dealer for more details.

LGMG reserves the right to change technical data without prior notice. All photos and pictures in this brochure are for promotional purposes only.

LINGONG HEAVY MACHINERY CO., LTD.

Address: No. 2676, Kejia Road, Jinan, Shandong, China
 Email: sales@lgmg.com.cn Tel: +86 531 6787 9283

LGMG MACHINERY AUSTRALIA PTY LTD

Address: 27 Broadhurst Road, Ingleburn, NSW 2565
 Email: sales@lgmgau.com.au Tel: +61 499 685 544

www.lgmglifts.com

 **LGMG**
 RELIABILITY IN ACTION