

LGMG

H625

TELEHANDLER

6m

WORKING HEIGHT

2500kg

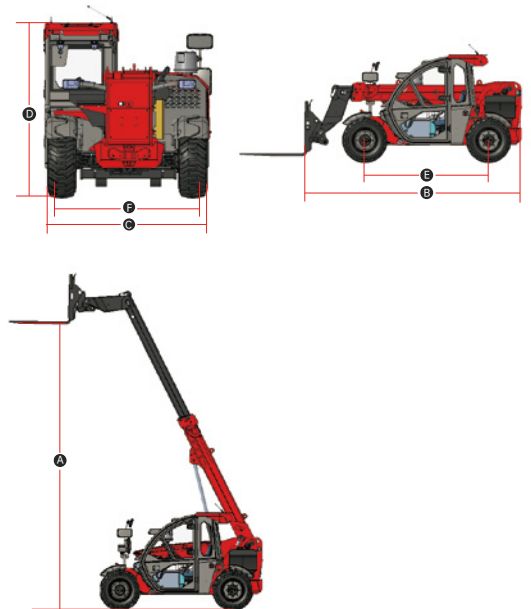
RATED LOAD



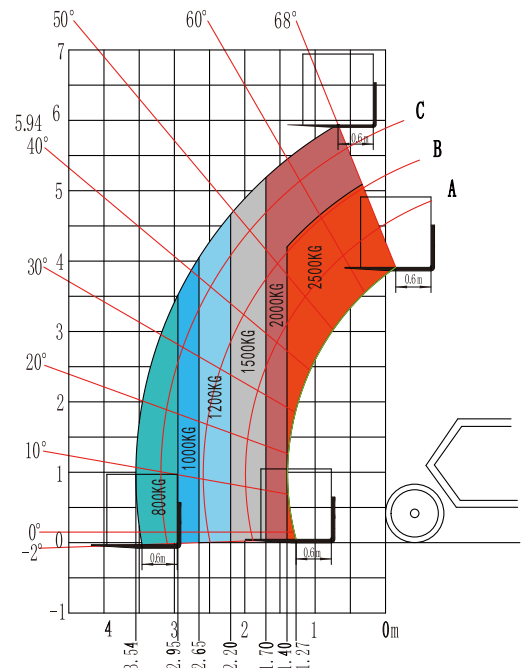
LGMG TELEHANDLER

SPECIFICATIONS

MODELS	H625	
Measurements	Metric	Imperial
Ⓐ Max. Lifting Height	5.85m	19'2"
Max. Outreach	3.43m	11'3"
Ⓑ Overall Length	3.94m	13'
Ⓒ Overall Width	1.83m	6'
Ⓓ Overall Height	1.96m	6'5"
Ⓔ Wheelbase	2.3m	7'7"
Ⓕ Wheel Track	1.49m	4'11"
Ground Clearance	0.24m	9.4"
PRODUCTIVITY		
Max. Capacity	2,500kg	5,512 lbs
Gradeability-Unladen	45%	
Min. Turning Radius	3.36m	11'
Tilt Angle	±5°	
Drive /Steering Mode	4 Wheel Drive / 4 Wheel Steer	
Primary Boom Ascending Time	4-10s	
Primary Boom DescendingTime	4-10s	
Boom Extending Time	4-10s	
Boom Retracting Time	4-10s	
Forward - First Gear Travel Speed	9km/h	5.6mph
Forward - Second Gear Travel Speed	24.9km/h	15.5mph
Backward - First Gear Travel Speed	9km/h	5.6mph
Backward - Second Gear Travel Speed	24.9km/h	15.5mph
Braking	Multiple-disk brake with oil bath on front and rear axles	
Max. Braking Distance-Unladen	≤ 5m (20km/h)	≤ 16'5"(12.4mph)
Standard Tyres	12-16.5-12-TL	
POWER		
Manufacturer	Kubota	
Rated Power	54.6kW	73.2hp
Max. Torque	261.1N.m	192.4 lb.ft
Displacement	3,331ml	203.27 cu.in
TANK CAPACITIES		
Hydraulic Oil Capacity	75L	19.8 gal
Fuel Tank Capacity	63L	16.6 gal
WEIGHT		
Machine Weight	5,100kg	11,244 lbs



Rough Terrain Load Chart



Please contact LGMG or a local dealer for more details.

LGMG reserves the right to change technical data without prior notice. All photos and pictures in this brochure are for promotional purposes only.

LINGONG HEAVY MACHINERY CO., LTD.

Address: No. 2676, Kejia Road, Jinan, Shandong, China
 Email: sales@lgmg.com.cn Tel: +86 531 6787 9283

LGMG MACHINERY AUSTRALIA PTY LTD

Address: 27 Broadhurst Road, Ingleburn, NSW 2565
 Email: sales@lgmgau.com.au Tel: +61 499 685 544

www.lgmglifts.com

LGMG
 RELIABILITY IN ACTION